



FlowPod Display

PSU+ ○

PSU - ○

OC 1 ⊖

OC 2 ⊖

0V ⊖

OC 1 (Passive NPN Output)

OC 2 (Passive NPN Output) **Optional Outputs**

0Vdc (OC Return / Common)

Note:
Links Fitted on
Terminal Board :
S9 & S10

Loop + ⊕

+ Loop Power (12-30Vdc)

Loop - ⊖

- Loop Return (0Vdc)

**DC Power &
4-20mA/HART**

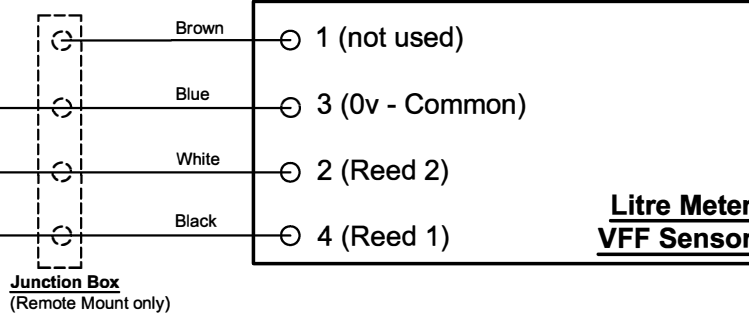
485 A ○

485 B ○


PSUx ⊖

SET 2 ⊖

SIG 1 ⊖



**Litre Meter
VFF Sensor**

4					FINISH 0.8µm Ra unless otherwise stated	MATERIAL:	Dimensions in mm unless otherwise stated	TOLERANCES	x. ± 1mm x.x ± 0.5mm	x.xx ± 0.25mm x.xxx ± 0.05mm	x° ± 1/4°
3	4509	APCL		29/09/17	 LITRE METER Specialist flow measurement engineering Tel: 01296 670200 Fax: 01296 670999	Litre Meter Ltd Hart Hill Barn Granborough Road North Marston Bucks MK18 3RZ	Title Typical Wiring Diagram for FlowPod...2Exd Display (2-wire) with Loop Power & LM VFF		Drawing No. C7310		
2	4437	APCL	18/01/16								
1	4401	APCL	04/08/15								
Issue	DCMR	Drawn	Appd	Date	Website http://www.litre-meter.com	E-mail do@litre-meter.com	STOCK CODE: FLOWPOD-H-RS-E*-2EXD		Copy No. ○		

IF IN DOUBT - ASK

REPORT ERRORS

DO NOT SCALE